

# Sound Sensor

## Attachment Instructions

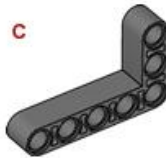
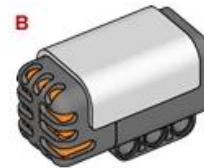


# Materials

## Parts Page 1

- (A) 1x Assembled Taskbot
- (B) 1x Sound Sensor
- (C) 1x 3x5 Angular Beam
- (D) 1x 2-Module Double Connector Peg
- (E) 2x Connector Peg with Friction
- (F) 1x Cable

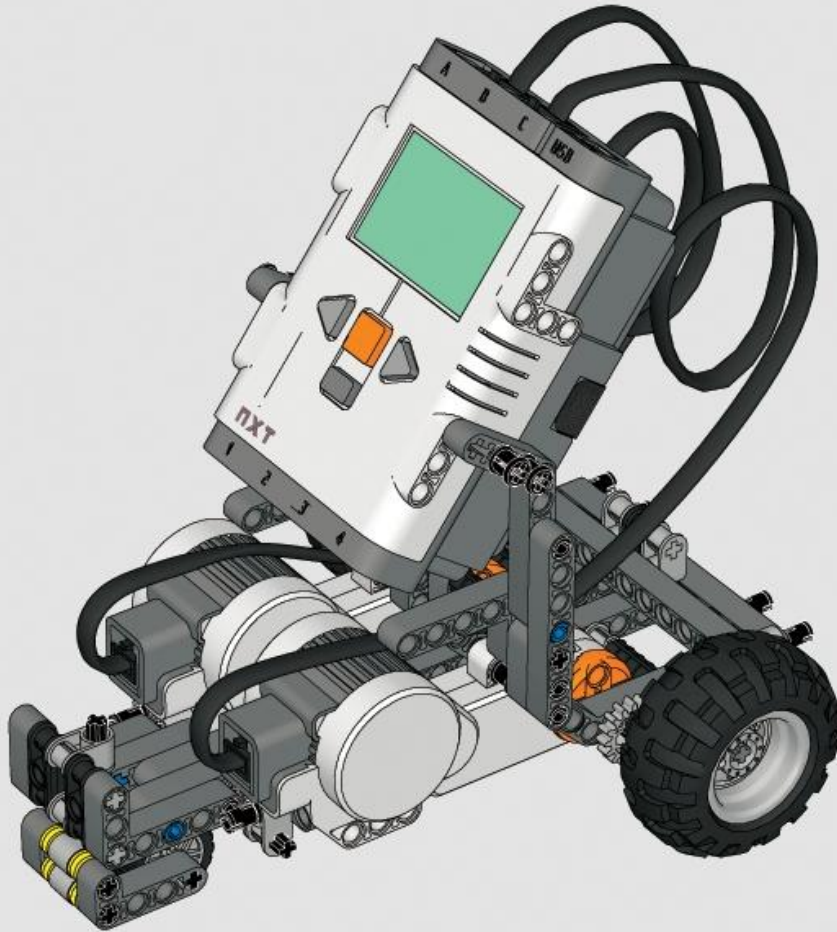
(A) = Part Number  
1x = Amount Needed



Sound Sensor

- 1
- 2
- 3
- 4
- 5
- 6
- 7

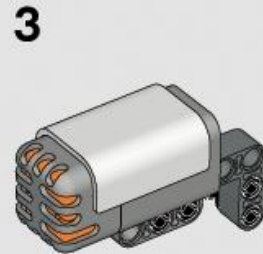
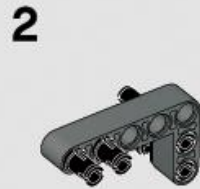
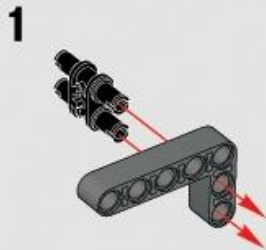
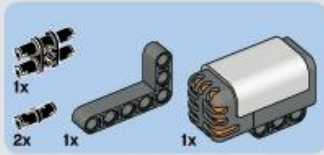
BACK | NEXT



Sound Sensor

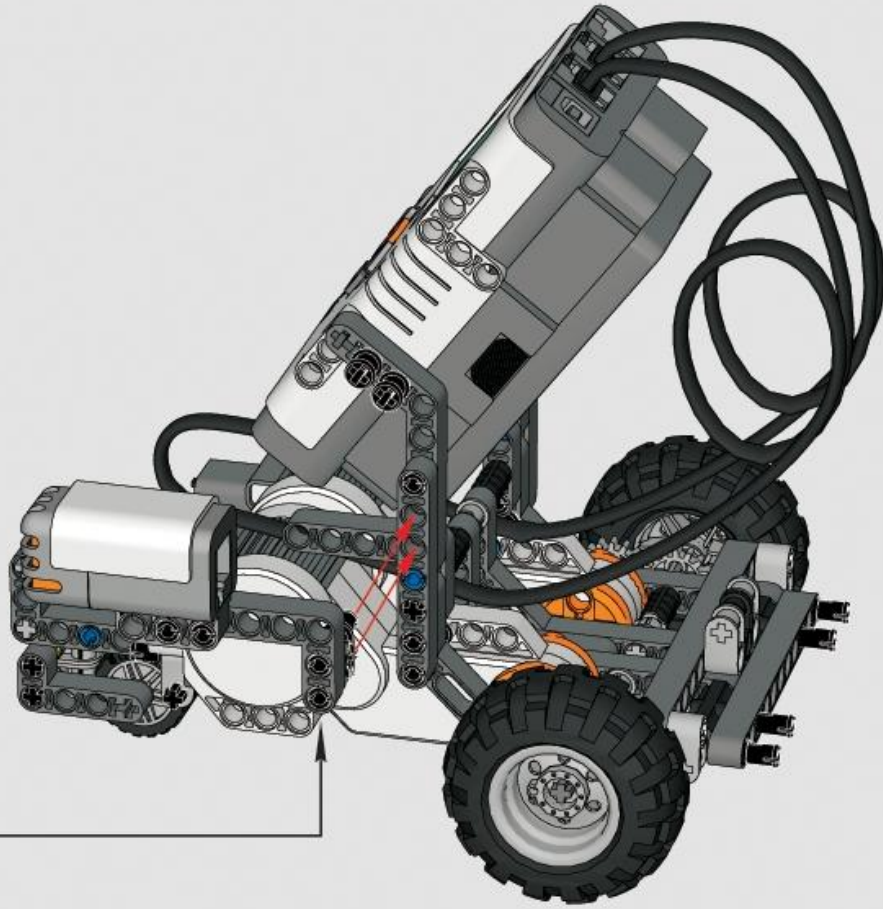
- 1
- 2
- 3
- 4
- 5
- 6
- 7

BACK | NEXT



Sound Sensor

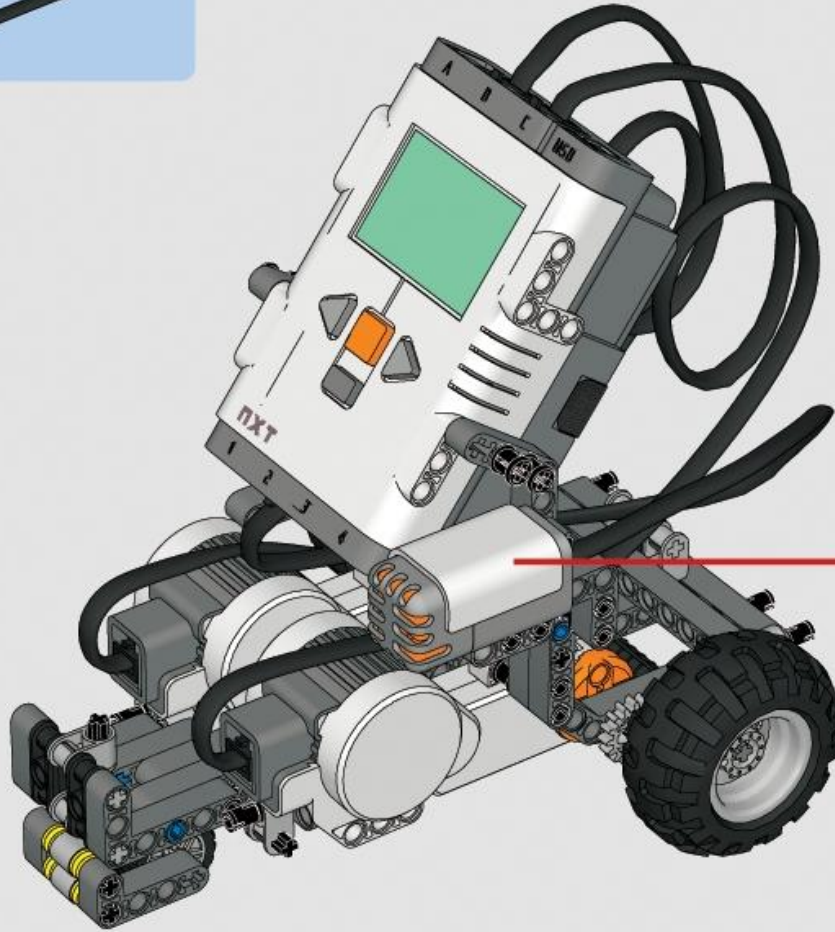
- 1
- 2
- 3
- 4
- 5
- 6
- 7



Sound Sensor

- 1
- 2
- 3
- 4
- 5
- 6
- 7

BACK NEXT



2

Your **Sound Sensor Attachment**  
is now complete!

